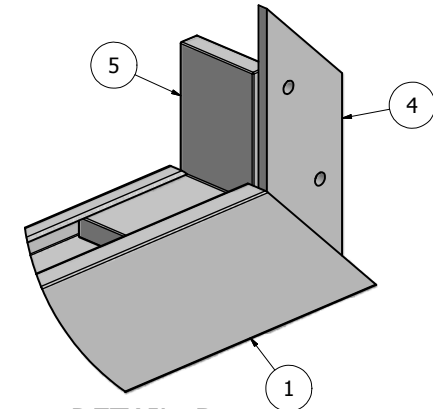
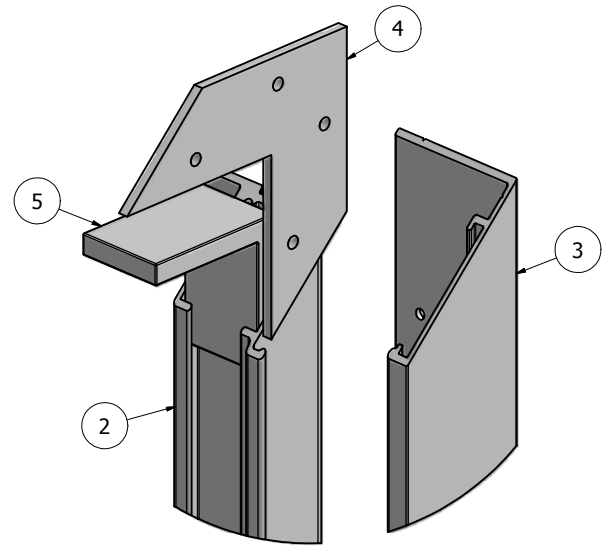
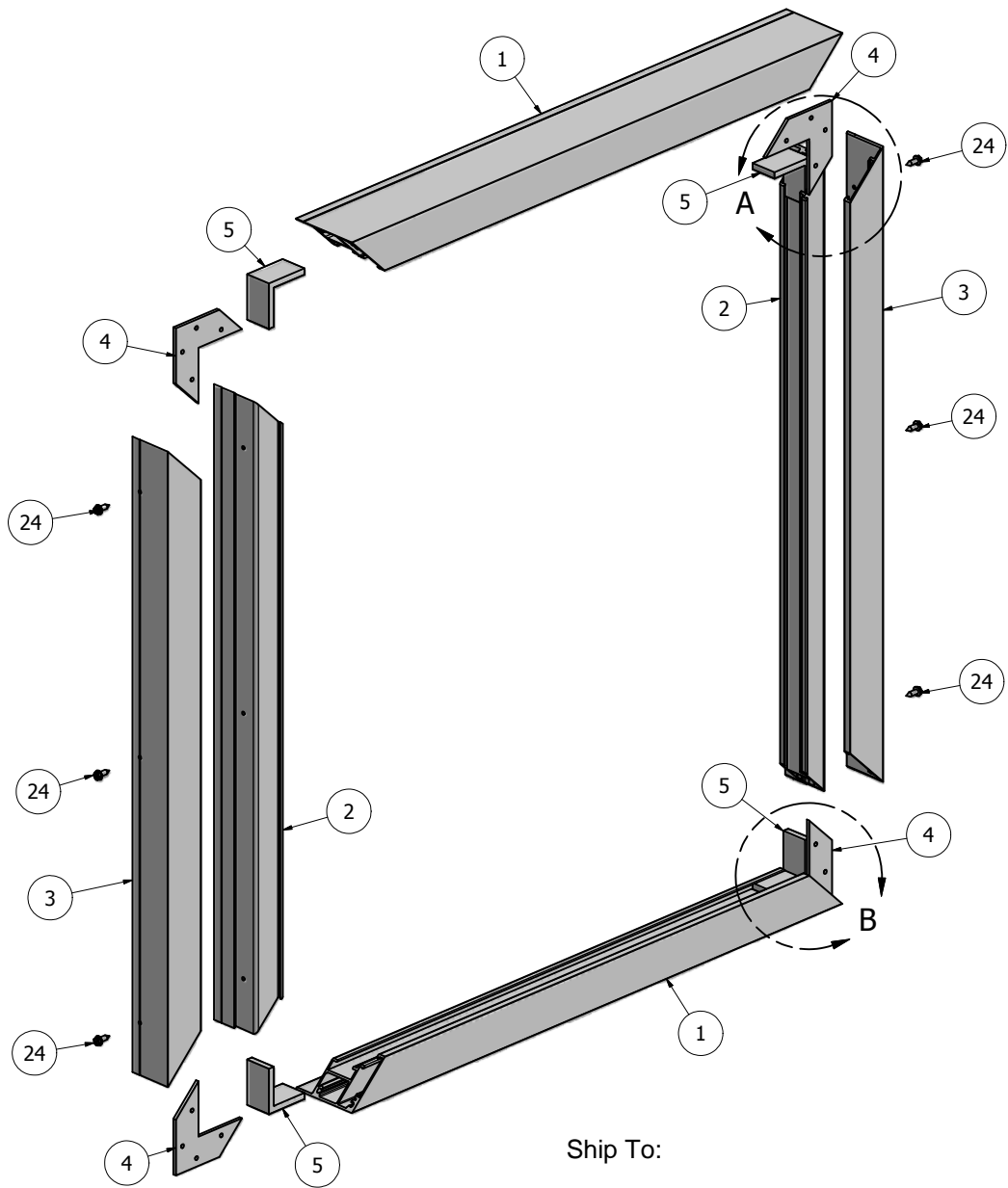


Parts List			
ITEM	PART #	DESCRIPTION	NOTES
1	1940	2Part Extended Retainer	Top & Bottom
2	1955	2Part Extended Frame	Sides
3	1944	2Part Retainer	Sides
4	5210	Corner Key	
5	5305	Frame Corner Angle	
24	5290	2Part Retainer Screw	Drill 1/8" Pilot Hole



**NOTE: PRE-CUT KITS ARE NOT PRE-DRILLED.**  
 (Holes shown in this drawing are for reference only.  
 Drilling of pilot holes are to be done by fabricator.)

THIS DRAWING WAS CREATED AT NO CHARGE TO ASSIST YOU IN VISUALIZING OUR PROPOSAL. THE DRAWING HEREIN IS THE PROPERTY OF SIGNCOMP. PERMISSION TO COPY OR REVISE THIS DRAWING OR TO USE THIS DRAWING FOR PRODUCTION IS STRICTLY PROHIBITED AND CAN ONLY BE COPIED, REVISED OR USED FOR PRODUCTION WITH THE EXPRESSED WRITTEN PERMISSION OF SIGNCOMP.			
DRAWN	3/18/2009	<b>SignComp</b>	
CHECKED			
QA		TITLE	
MFG		2Part Extended Retainer - 2Part Extended Frame - 2Part Retainer - Assembly	
APPROVED		SIZE	DWG NO
		C	1940-55-44
		SCALE	REV
			SHEET 1 OF 1

Ship To:  
 Order Number: